

# Plantation Shutters

## Panel Layout Chart

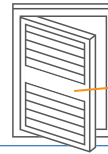
To decide which panel layout will best suit your windows, follow these 2 simple rules: #1 Less is more. #2 You must follow the window. Used in conjunction with your Check Measure Worksheet, the Panel Layout Chart will ensure you get the best possible result when measuring for your plantation shutters.

### Panel Drops:

Min Panel Drop 300mm  
Max Panel Drop 2420mm

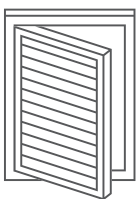
### Min Panel Width:

U Channel & Direct Mount 200mm  
\* L Frame & Z Frame 250mm



**T** T-Posts: L & Z Frames only

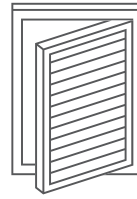
Midrails: Drops > 1600mm  
= 1 x Midrail required



### Layout A

#### 1 PANEL

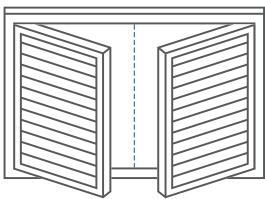
Max width per Panel **950mm**  
Max width per Layout **950mm**  
Min width per Layout **200-250\*mm**



### Layout B

#### 1 PANEL

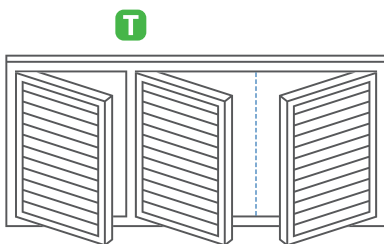
Max width per Panel **950mm**  
Max width per Layout **950mm**  
Min width per Layout **200-250\*mm**



### Layout C

#### 2 PANELS

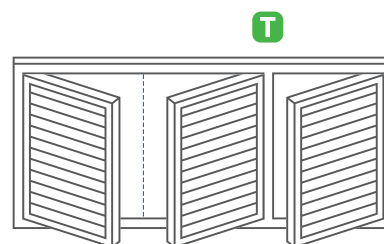
Max width per Panel **950mm**  
per Layout **1,900mm**  
Min width per Layout **400-500\*mm**



### Layout E

#### 3 PANELS 1 T-POST

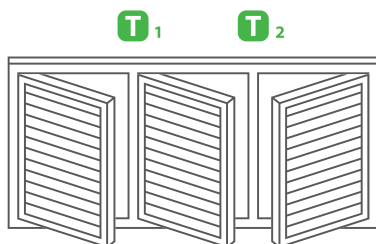
Max width per Panel **950mm**  
per Layout **2,850mm**  
Min width per Layout **600-750\*mm**



### Layout D

#### 3 PANELS 1 T-POST

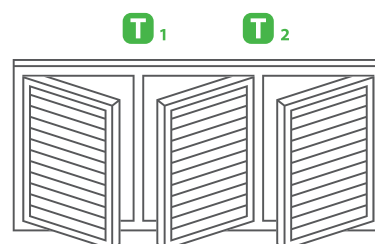
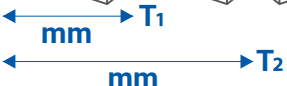
Max width per Panel **950mm**  
per Layout **2,850mm**  
Min width per Layout **600-750\*mm**



### Layout F

#### 3 PANELS 2 T-POSTS

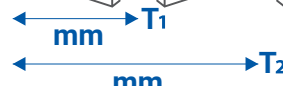
Max width per Panel **950mm**  
per Layout **2,850mm**  
Min width per Layout **600-750\*mm**



### Layout G

#### 3 PANELS 2 T-POSTS

Max width per Panel **950mm**  
per Layout **2,850mm**  
Min width per Layout **600-750\*mm**



# Plantation Shutters

## Panel Layout Chart

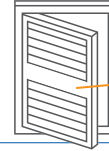
To decide which panel layout will best suit your windows, follow these 2 simple rules: #1 Less is more. #2 You must follow the window. Used in conjunction with your Check Measure Worksheet, the Panel Layout Chart will ensure you get the best possible result when measuring for your plantation shutters.

### Panel Drops:

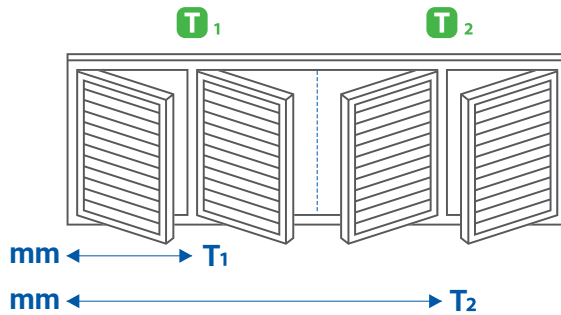
Min Panel Drop 300mm  
Max Panel Drop 2420mm

### Min Panel Width:

U Channel & Direct Mount 200mm  
\* L Frame & Z Frame 250mm



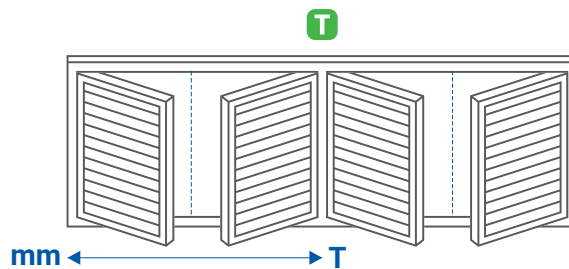
**T** T-Posts: L & Z Frames only  
Midrails: Drops > 1600mm  
= 1 x Midrail required



### Layout H

**4 PANELS**  
**2 T-POSTS**

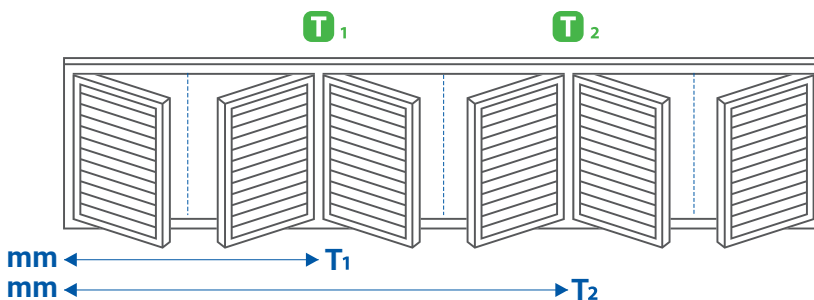
Max width per Panel **950mm**  
Max width per Layout **3,800mm**  
Min width per Layout **800-1000\*mm**



### Layout J

**4 PANELS**  
**1 T-POSTS**

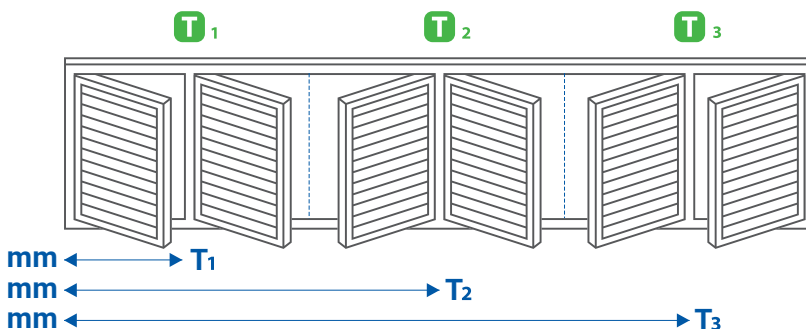
Max width per Panel **950mm**  
Max width per Layout **3,800mm**  
Min width per Layout **800-1000\*mm**



### Layout K

**6 PANELS**  
**2 T-POSTS**

Max width per Panel **950mm**  
Max width per Layout **5,700mm**  
Min width per Layout **1,200-1,500\*mm**



### Layout L

**6 PANELS**  
**3 T-POSTS**

Max width per Panel **950mm**  
Max width per Layout **5,700mm**  
Min width per Layout **1,200-1,500\*mm**