

Plantation Shutters

Panel Layout Chart

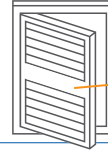
To decide which panel layout will best suit your windows, follow these 2 simple rules: #1 Less is more. #2 You must follow the window. Used in conjunction with your Check Measure Worksheet, the Panel Layout Chart will ensure you get the best possible result when measuring for your plantation shutters.

Panel Drops:

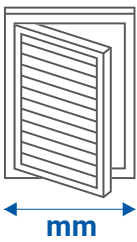
Min Panel Drop 300mm
Max Panel Drop 2420mm

Min Panel Width:

U Channel & Direct Mount 200mm
* L Frame & Z Frame 250mm

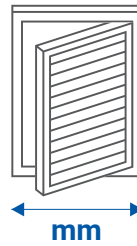


T T-Posts: L & Z Frames only
Midrails: Drops > 1600mm
= 1 x Midrail required



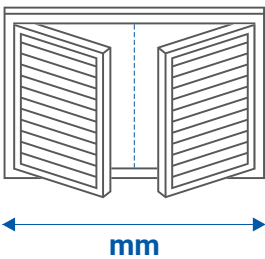
Layout A

1 PANEL
Max width per Panel **950mm**
Max width per Layout **950mm**
Min width per Layout **200-250*mm**



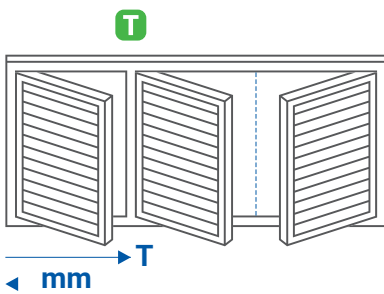
Layout B

1 PANEL
Max width per Panel **950mm**
Max width per Layout **950mm**
Min width per Layout **200-250*mm**



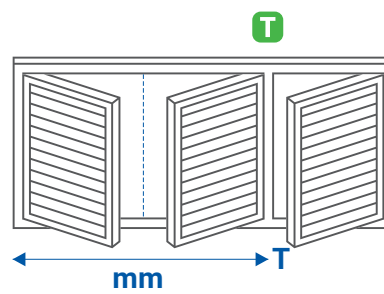
Layout C

2 PANELS
Max width per Panel **950mm**
per Layout **1,900mm**
Min width per Layout **400-500*mm**



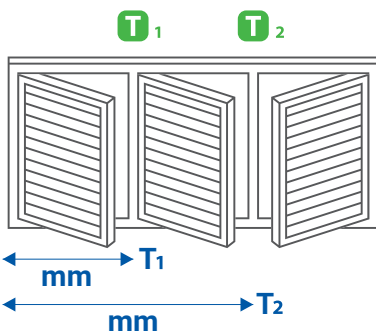
Layout E

3 PANELS
1 T-POST
Max width per Panel **950mm**
per Layout **2,850mm**
Min width per Layout **600-750*mm**



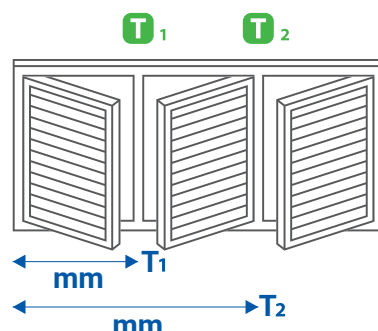
Layout D

3 PANELS
1 T-POST
Max width per Panel **950mm**
per Layout **2,850mm**
Min width per Layout **600-750*mm**



Layout F

3 PANELS
2 T-POSTS
Max width per Panel **950mm**
per Layout **2,850mm**
Min width per Layout **600-750*mm**



Layout G

3 PANELS
2 T-POSTS
Max width per Panel **950mm**
per Layout **2,850mm**
Min width per Layout **600-750*mm**

Plantation Shutters

Panel Layout Chart

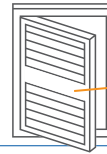
To decide which panel layout will best suit your windows, follow these 2 simple rules: #1 Less is more. #2 You must follow the window. Used in conjunction with your Check Measure Worksheet, the Panel Layout Chart will ensure you get the best possible result when measuring for your plantation shutters.

Panel Drops:

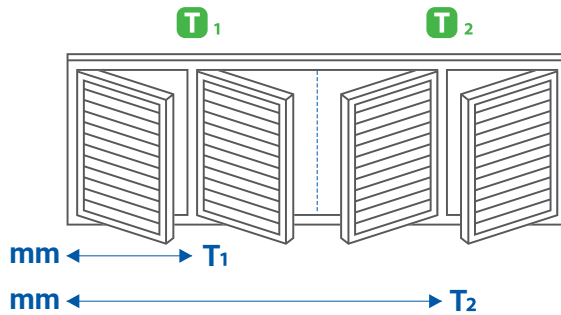
Min Panel Drop 300mm
Max Panel Drop 2420mm

Min Panel Width:

U Channel & Direct Mount 200mm
* L Frame & Z Frame 250mm



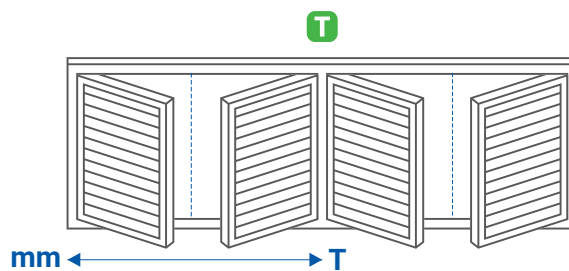
T T-Posts: L & Z Frames only
Midrails: Drops > 1600mm
= 1 x Midrail required



Layout H

4 PANELS
2 T-POSTS

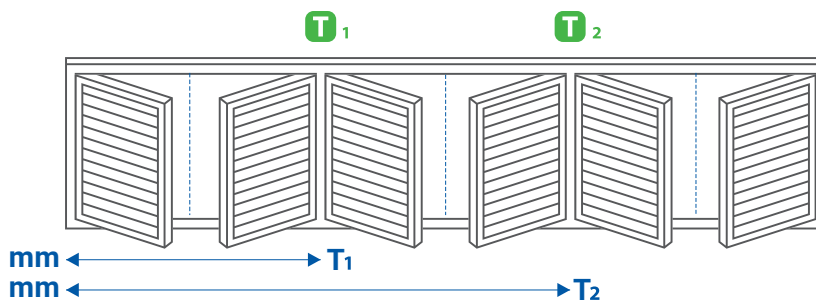
Max width per Panel **950mm**
Max width per Layout **3,800mm**
Min width per Layout **800-1000*mm**



Layout J

4 PANELS
1 T-POSTS

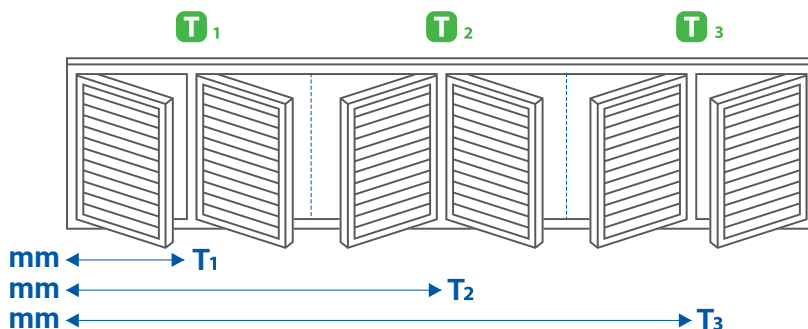
Max width per Panel **950mm**
Max width per Layout **3,800mm**
Min width per Layout **800-1000*mm**



Layout K

6 PANELS
2 T-POSTS

Max width per Panel **950mm**
Max width per Layout **5,700mm**
Min width per Layout **1,200-1,500*mm**



Layout L

6 PANELS
3 T-POSTS

Max width per Panel **950mm**
Max width per Layout **5,700mm**
Min width per Layout **1,200-1,500*mm**